



University of Alabama
School of Theatre and Dance
Allen Bales Theatre

Teila Vochatzer
SCENIC DESIGNER

ELECTRICIDAD
GROUND PLAN

Directed by

Lighting Designer

Sound Designer

Technical Director

Scale
1/8" = 1'

General Notes

1. ALL ELEMENTS
WILL BE PULLED
FROM C4.

This drawing is confidential. The reproduction or use of ideas, arrangements, designs, and plans are prohibited without written consent of Teila Vochatzer.

Written dimensions will always override scale should a conflict arise.

Responsibility falls solely on the vendors to notify Teila Vochatzer of any discrepancies between this drawing and actual dimensions.

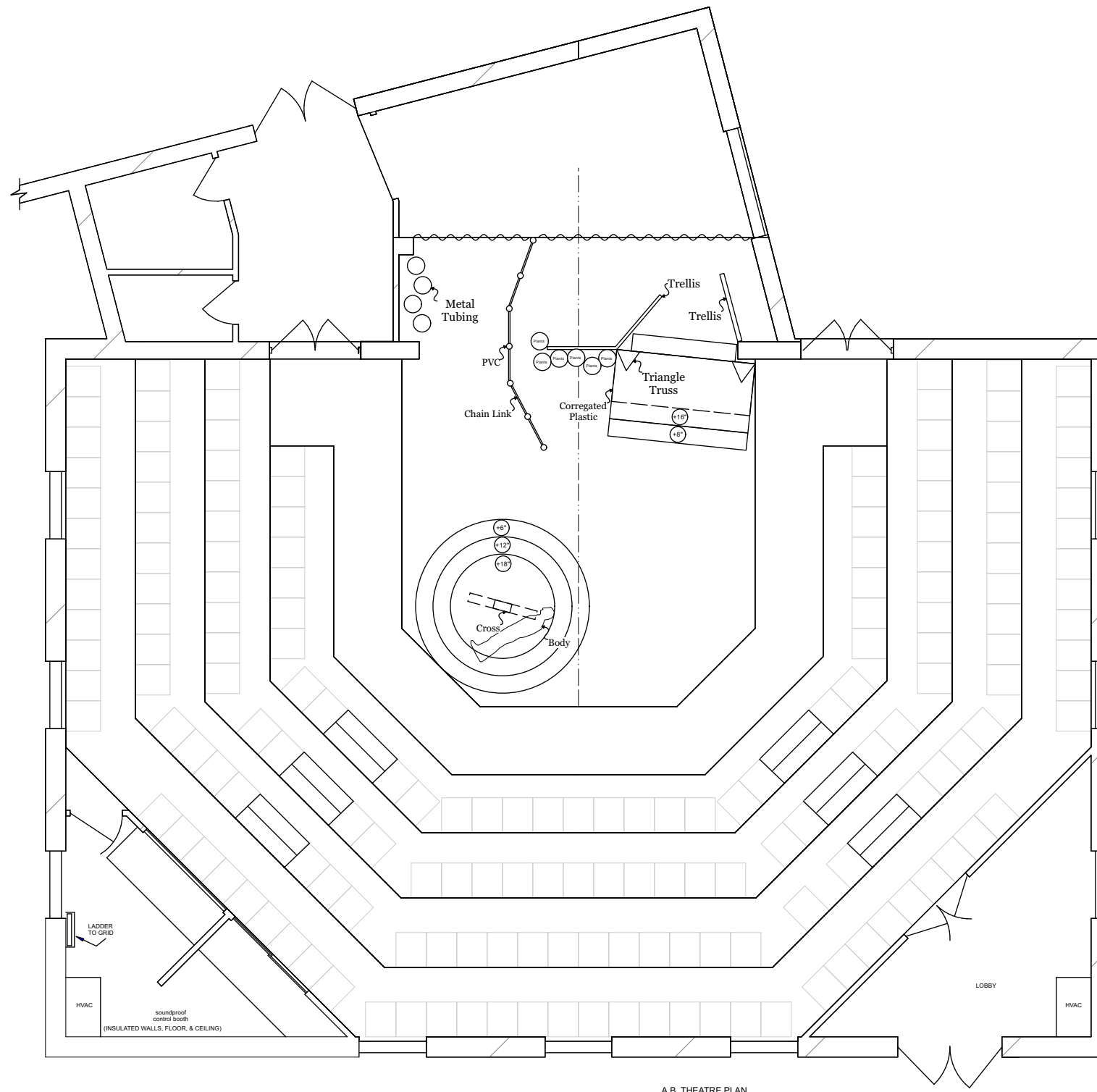
This drawing represents concepts and suggestions only. The design team is not responsible nor held liable for the structural, mechanical or electrical execution of this drawing. Any structural components within this drawing must be approved by a qualified engineer before installation begins. Furthermore any other work done is to be performed by qualified personnel only.

Equipment and installation must conform to all local and federal codes and fire safety regulations.

Plate No.

1 OF 1

November 15, 2021





University of Alabama
School of Theatre and Dance
Allen Bales Theatre

Teila Vochatzer
SCENIC DESIGNER

ELECTRICIDAD
SECTION VIEW

Directed by

Lighting Designer

Sound Designer

Technical Director

Scale
3/16" = 1'

General Notes

1. ALL ELEMENTS
WILL BE PULLED
FROM C4.

This drawing is confidential. The reproduction or use of ideas, arrangements, designs, and plans are prohibited without written consent of Teila Vochatzer.

Written dimensions will always override scale should a conflict arise.

Responsibility falls solely on the vendors to notify Teila Vochatzer of any discrepancies between this drawing and actual dimensions.

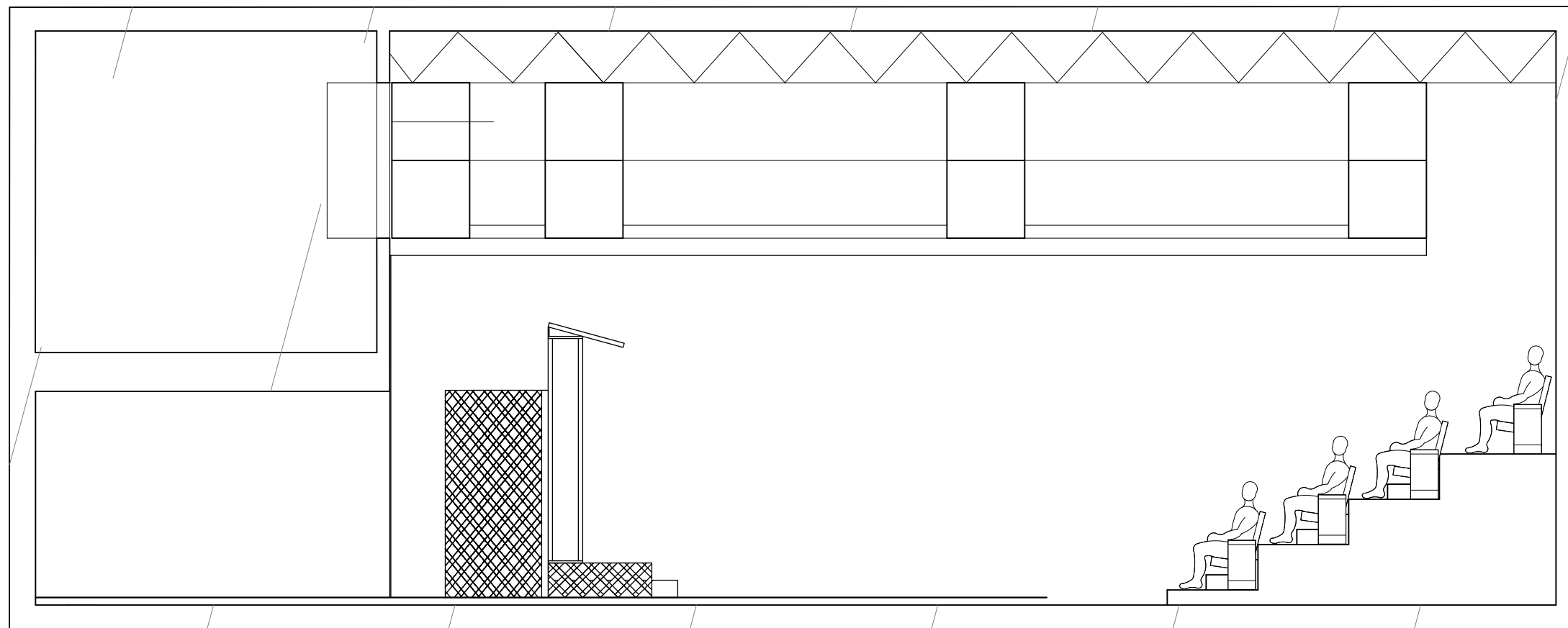
This drawing represents concepts and suggestions only. The design team is not responsible nor held liable for the structural, mechanical or electrical execution of this drawing. Any structural components within this drawing must be approved by a qualified engineer before installation begins. Furthermore any other work done is to be performed by qualified personnel only.

Equipment and installation must conform to all local and federal codes and fire safety regulations.

Plate No.

2 OF 5

November 30, 2021





University of Alabama
School of Theatre and Dance
Allen Bales Theatre

Teila Vochatzer
SCENIC DESIGNER

ELECTRICIDAD

**FRONT
ELEVATION**

Directed by

Lighting Designer

Sound Designer

Technical Director

Scale
3/16" = 1'

General Notes

1. ALL ELEMENTS
WILL BE PULLED
FROM C4.

This drawing is confidential. The reproduction or use of ideas, arrangements, designs, and plans are prohibited without written consent of Teila Vochatzer.

Written dimensions will always override scale should a conflict arise.

Responsibility falls solely on the vendors to notify Teila Vochatzer of any discrepancies between this drawing and actual dimensions.

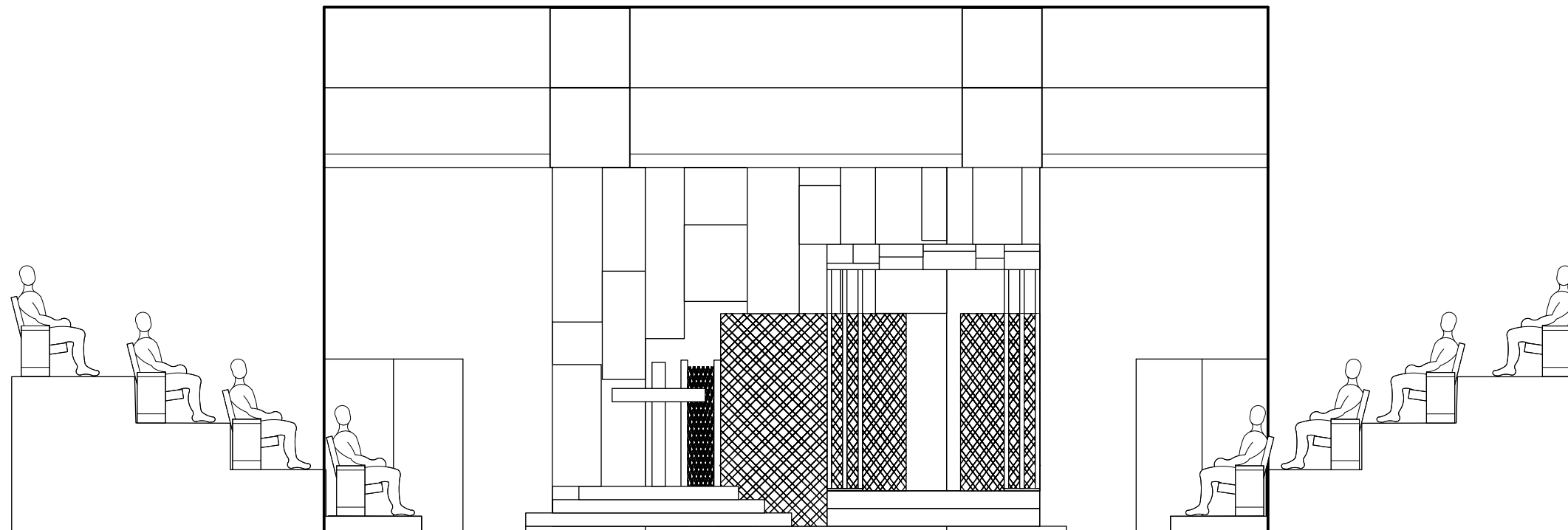
This drawing represents concepts and suggestions only. The design team is not responsible nor held liable for the structural, mechanical or electrical execution of this drawing. Any structural components within this drawing must be approved by a qualified engineer before installation begins. Furthermore any other work done is to be performed by qualified personnel only.

Equipment and installation must conform to all local and federal codes and fire safety regulations.

Plate No.

3 OF 5

November 30, 2021



1 **Front Elevation**
Scale: 3/16" = 1'-0"



University of Alabama
School of Theatre and Dance
Allen Bales Theatre

Teila Vochatzer
SCENIC DESIGNER

ELECTRICIDAD

RIGHT VIEW
ELEVATION

Directed by

Lighting Designer

Sound Designer

Technical Director

Scale

3/16" = 1'

General Notes

1. ALL ELEMENTS
WILL BE PULLED
FROM C4.

This drawing is confidential. The reproduction or use of ideas, arrangements, designs, and plans are prohibited without written consent of Teila Vochatzer.

Written dimensions will always override scale should a conflict arise.

Responsibility falls solely on the vendors to notify Teila Vochatzer of any discrepancies between this drawing and actual dimensions.

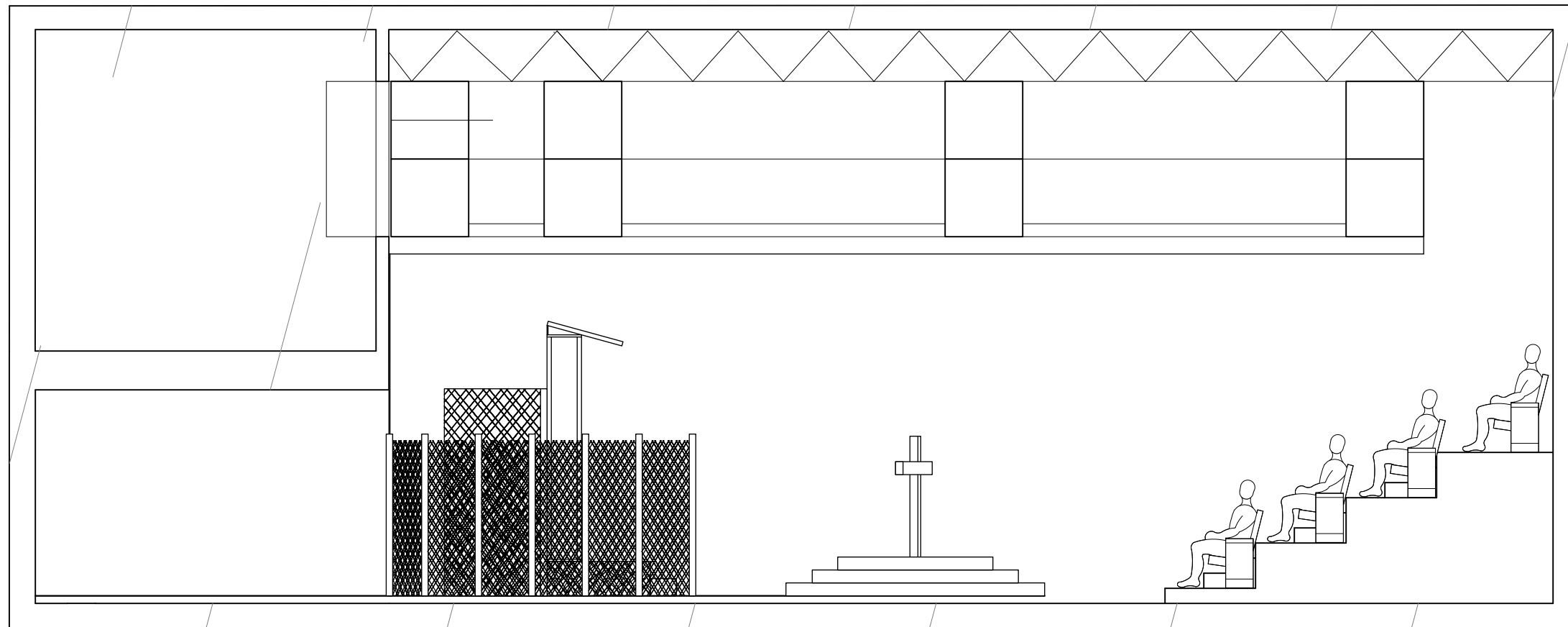
This drawing represents concepts and suggestions only. The design team is not responsible nor held liable for the structural, mechanical or electrical execution of this drawing. Any structural components within this drawing must be approved by a qualified engineer before installation begins. Furthermore any other work done is to be performed by qualified personnel only.

Equipment and installation must conform to all local and federal codes and fire safety regulations.

Plate No.

4 OF 5

November 30, 2021





University of Alabama
School of Theatre and Dance
Allen Bales Theatre

Teila Vochatzer
SCENIC DESIGNER

ELECTRICIDAD

**DETAIL
ELEVATIONS**

Directed by

Lighting Designer

Sound Designer

Technical Director

Scale
1/4" = 1'

General Notes

1. ALL ELEMENTS
WILL BE PULLED
FROM C4.

This drawing is confidential. The reproduction or use of ideas, arrangements, designs, and plans are prohibited without written consent of Teila Vochatzer.

Written dimensions will always override scale should a conflict arise.

Responsibility falls solely on the vendors to notify Teila Vochatzer of any discrepancies between this drawing and actual dimensions.

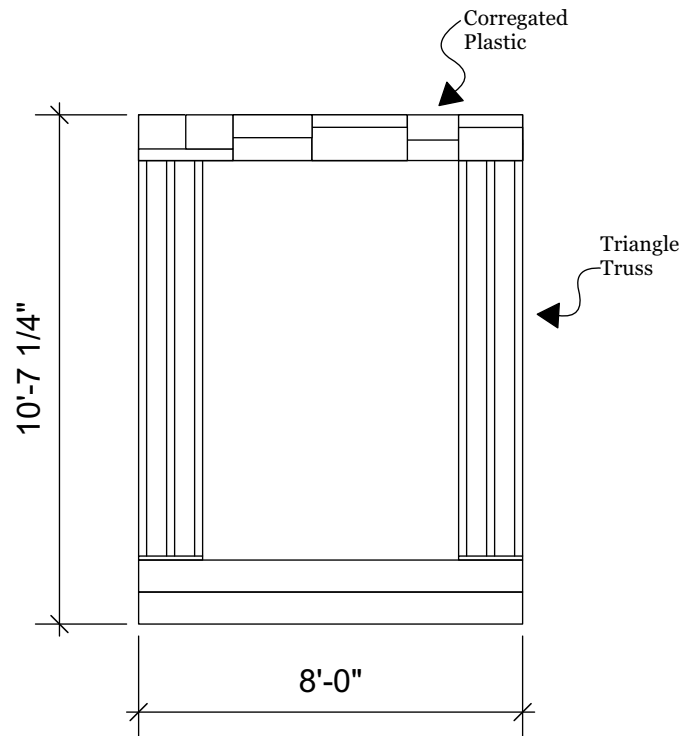
This drawing represents concepts and suggestions only. The design team is not responsible nor held liable for the structural, mechanical or electrical execution of this drawing. Any structural components within this drawing must be approved by a qualified engineer before installation begins. Furthermore any other work done is to be performed by qualified personnel only.

Equipment and installation must conform to all local and federal codes and fire safety regulations.

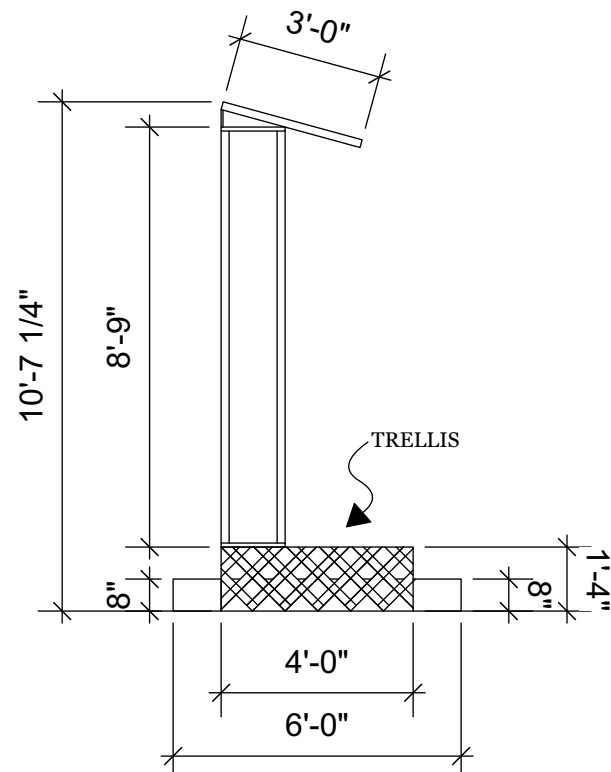
Plate No.

5 OF 5

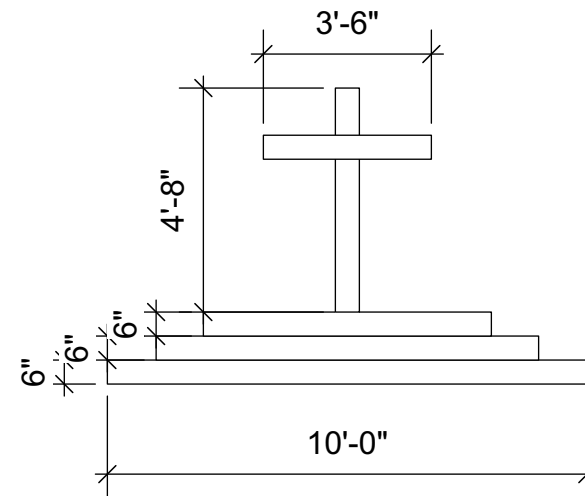
November 30, 2021



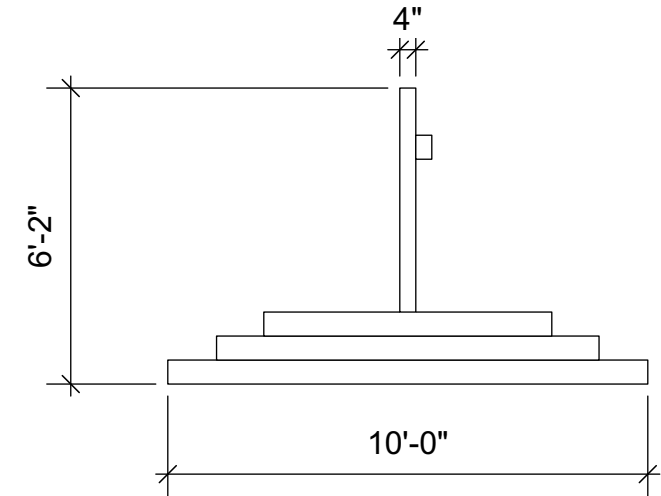
1 **Front View Porch**
Scale: 1/4" = 1'-0"



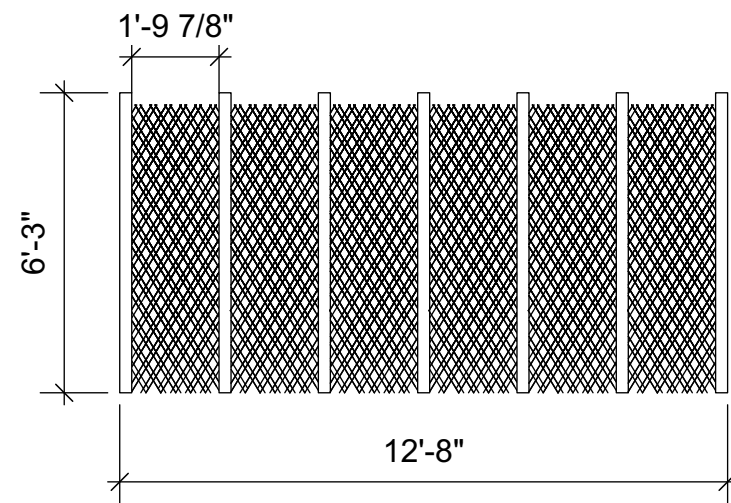
2 **Side View of Porch**
Scale: 1/4" = 1'-0"



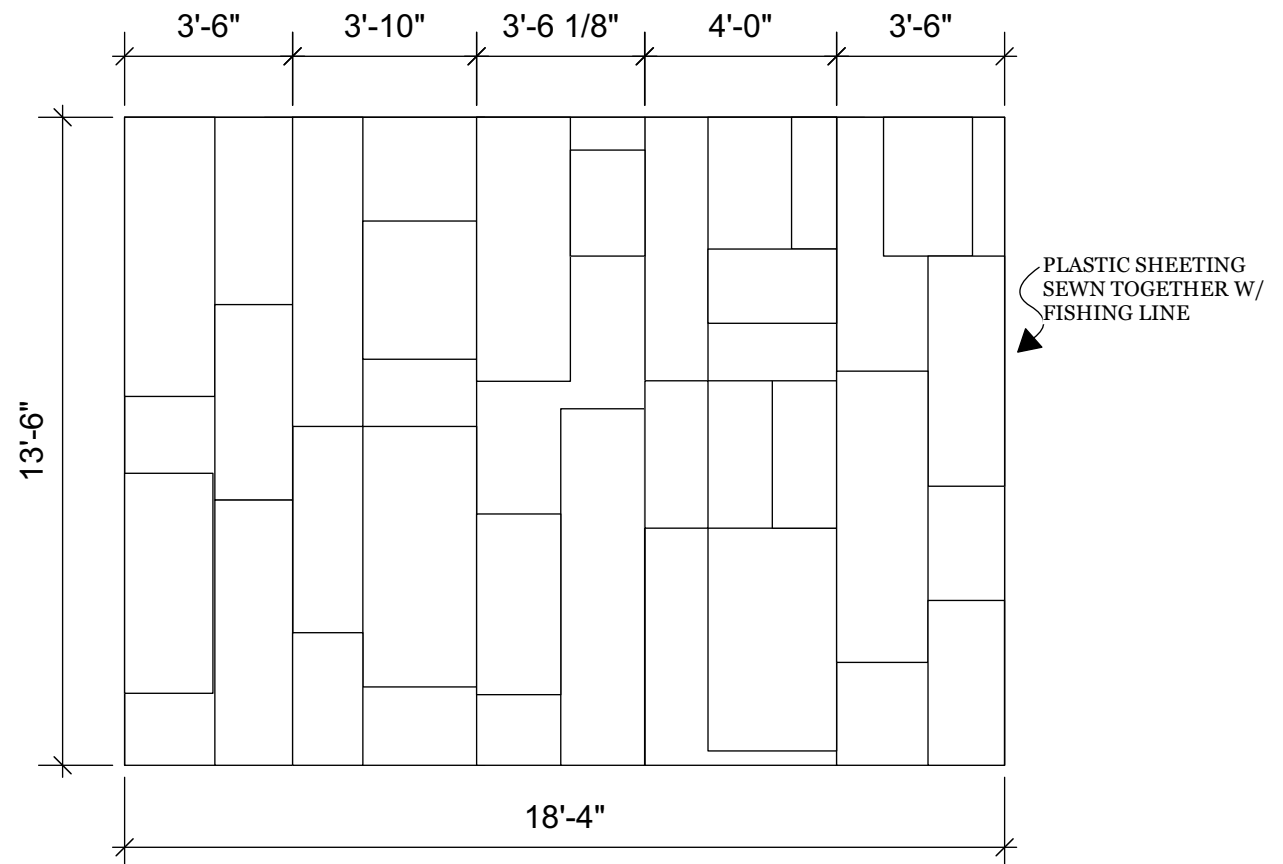
3 **Front View of Cross**
Scale: 1/4" = 1'-0"



4 **Side View of Cross**
Scale: 1/4" = 1'-0"



5 **Side View of Chain Link Fence**
Scale: 1/4" = 1'-0"



6 **Front View of Plastic Sheeting**
Scale: 1/4" = 1'-0"