



University of Alabama
School of Theatre and Dance
Allen Bales Theatre

Teila Vochatzer

Props Master

Antigone

By Sophocles
Porch Swing V4

Directed by

Matt Davis

Scenic Designer

Madison Grant

Lighting Designer

Libby Zamiska

Technical Director

Samuel Marchitto

Scale

1 1/2" = 1'-0"

General Notes

- Should be constructed out of 2x4, 1x2, 1x3, & ripped 1x6.
- Frame should be constructed out of 2x4.
- Seat & Back Slats should be constructed out of 1x2 & ripped 1x6.
- Armrests should be constructed out of 2x3 & 2x4.
- All angles should be cut at 15 degrees.
- Glue & Screw unless otherwise noted.
- Consult with TD for Rigging of the porch swing

This drawing is confidential. The reproduction or use of ideas, arrangements, designs, and plans are prohibited without written consent of Teila Vochatzer.

Written dimensions will always override scale should a conflict arise.

Responsibility falls solely on the vendors to notify Teila Vochatzer of any discrepancies between this drawing and actual dimensions.

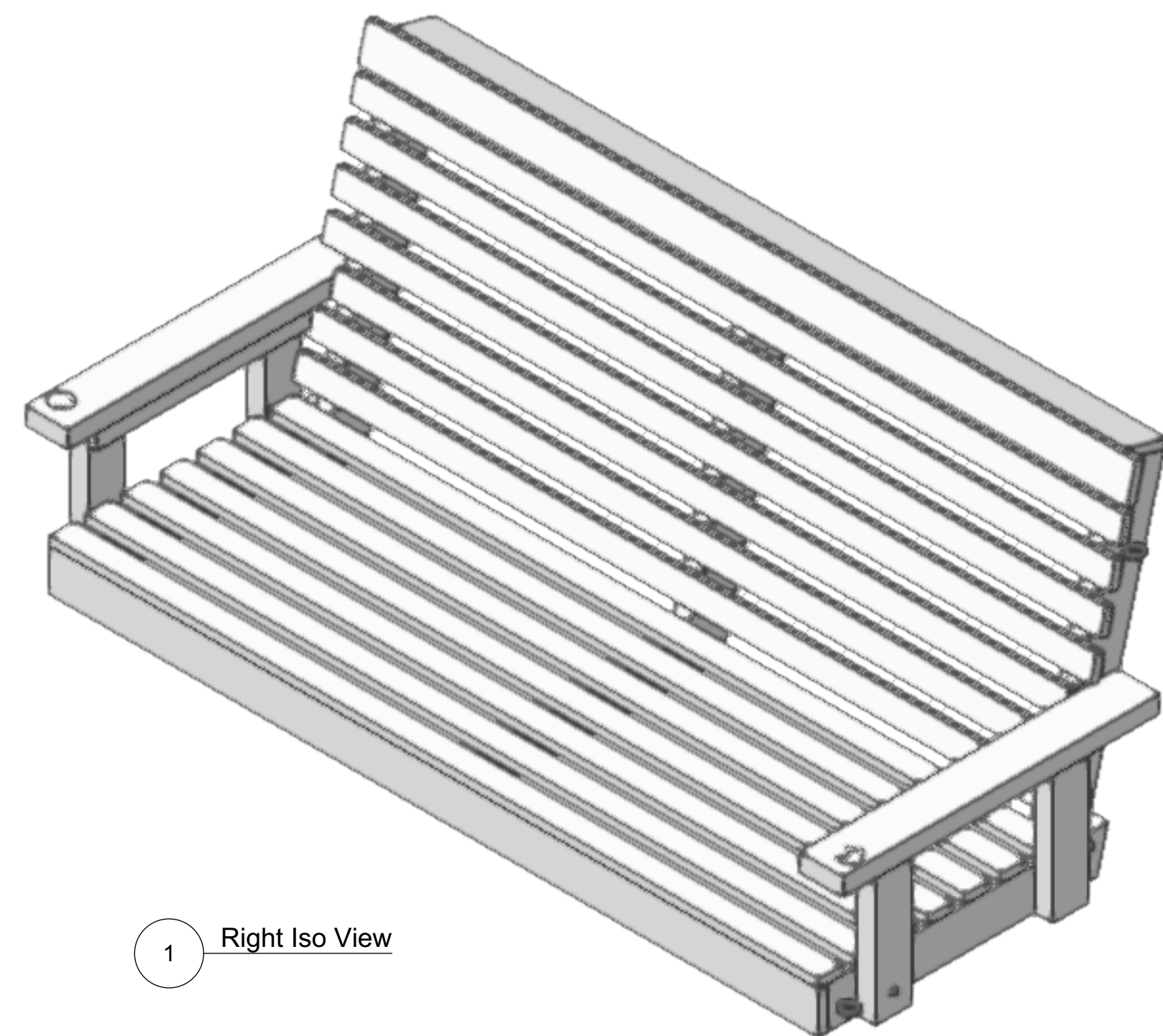
This drawing represents concepts and suggestions only. The design team is not responsible nor held liable for the structural, mechanical or electrical execution of this drawing. Any structural components within this drawing must be approved by a qualified engineer before installation begins. Furthermore any other work done is to be performed by qualified personnel only.

Equipment and installation must conform to all local and federal codes and fire safety regulations.

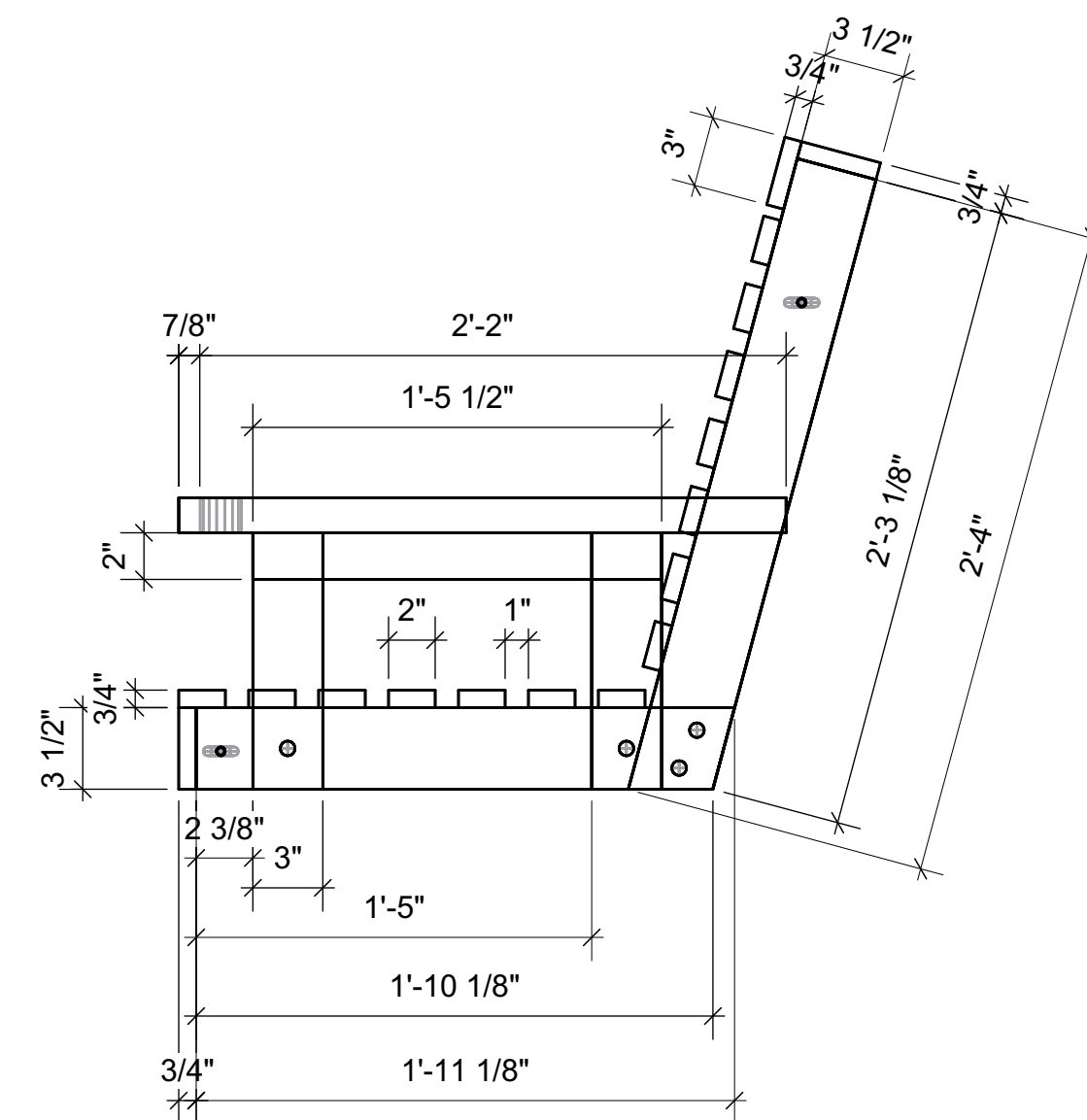
Plate No.

1 OF 1

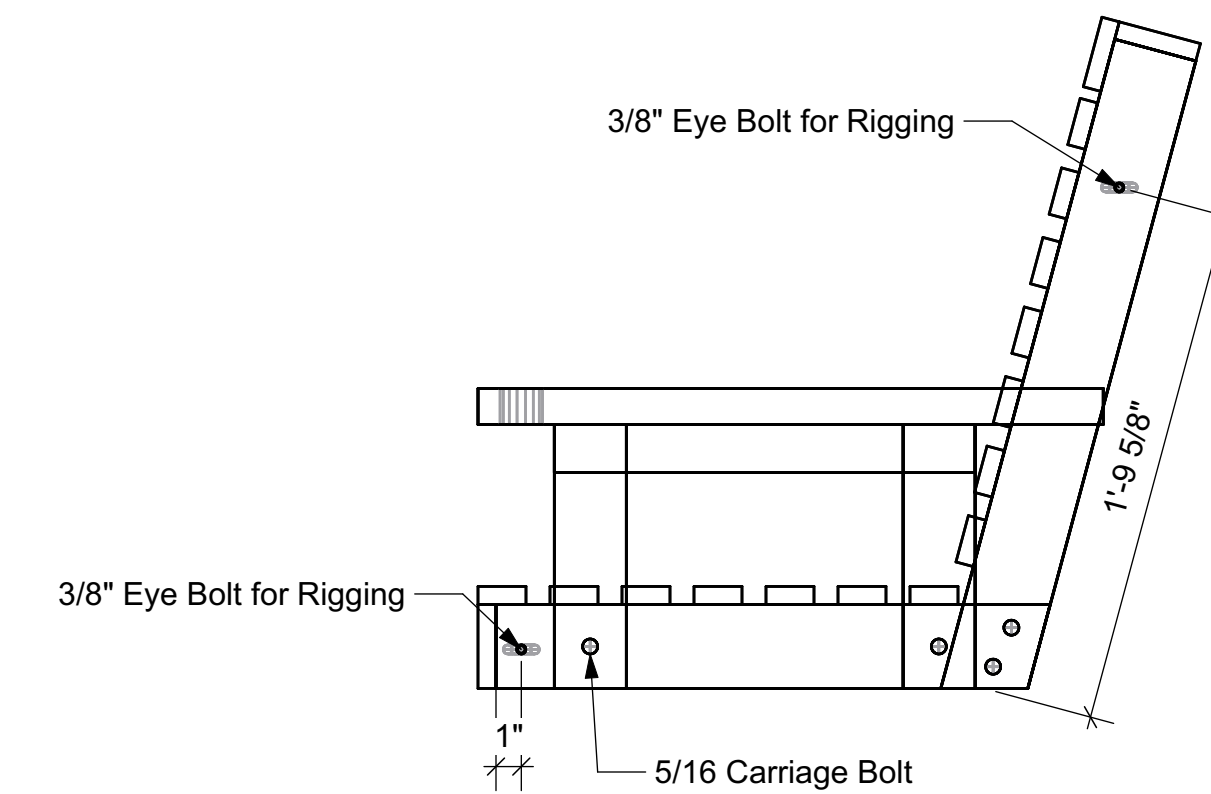
January 21, 2021



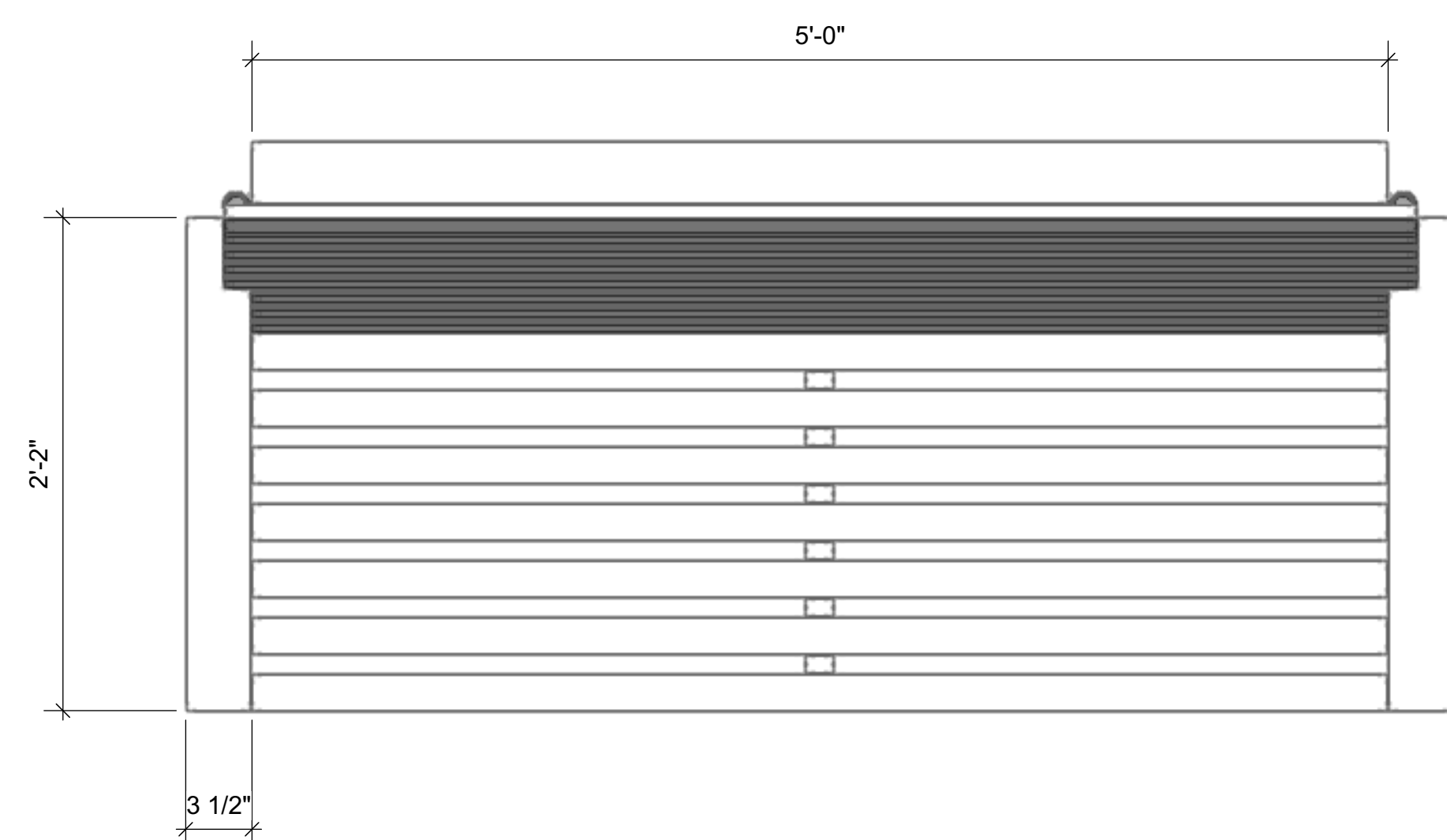
1 Right Iso View



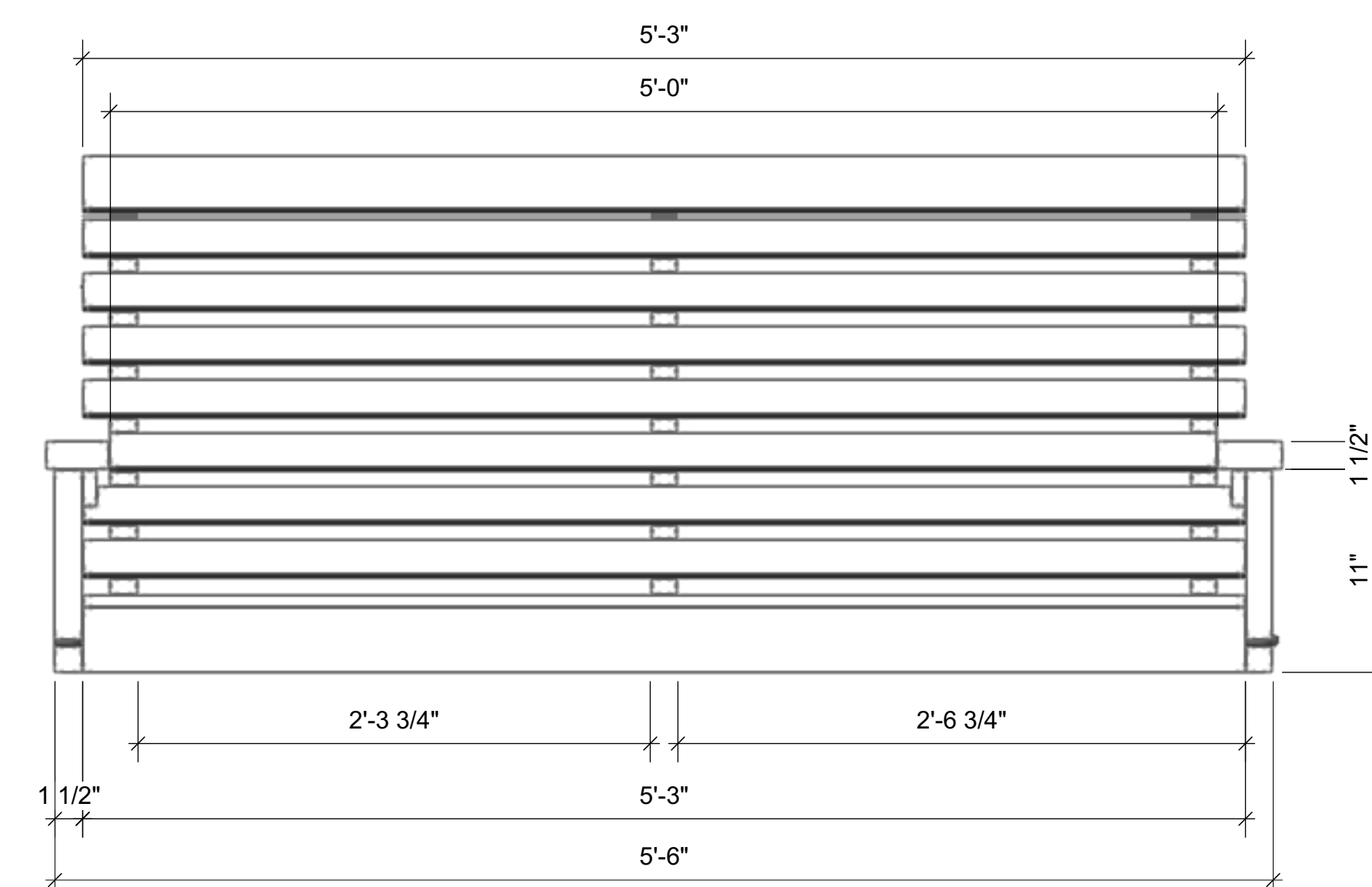
3 Side View
Scale: 1 1/2" = 1'-0"



4 Hardware
Scale: 1 1/2" = 1'-0"



2 Top View
Scale: 1 1/2" = 1'-0"



5 Front View
Scale: 1 1/2" = 1'-0"