



University of Alabama
School of Theatre and Dance
Allen Bales Theatre

Teila Vochatzer
Props Master

Antigone
By Sophocles
Marionette Puppet

Directed by
Matt Davis

Scenic Designer
Madison Grant

Lighting Designer
Libby Zamiska

Technical Director
Samuel Marchitto

Scale
3" = 1'-0"

General Notes

1. Build from foam, dowels, 3/4" ply, 1/4" Lauan & 2x2.
2. Chest frame built out of 2x2 & covered in foam & carved.
3. Legs & Arms built out of dowels.
4. Head frame built out of 3/4" ply & covered in foam & carved.
5. Hands & Feet base built out of 1/4" lauan & covered in foam & carved.
6. Joints made using 1/4" or smaller eye screws.
7. Foam layers should be glued with green glue.

This drawing is confidential. The reproduction or use of ideas, arrangements, designs, and plans are prohibited without written consent of Teila Vochatzer.

Written dimensions will always override scale should a conflict arise.

Responsibility falls solely on the vendors to notify Teila Vochatzer of any discrepancies between this drawing and actual dimensions.

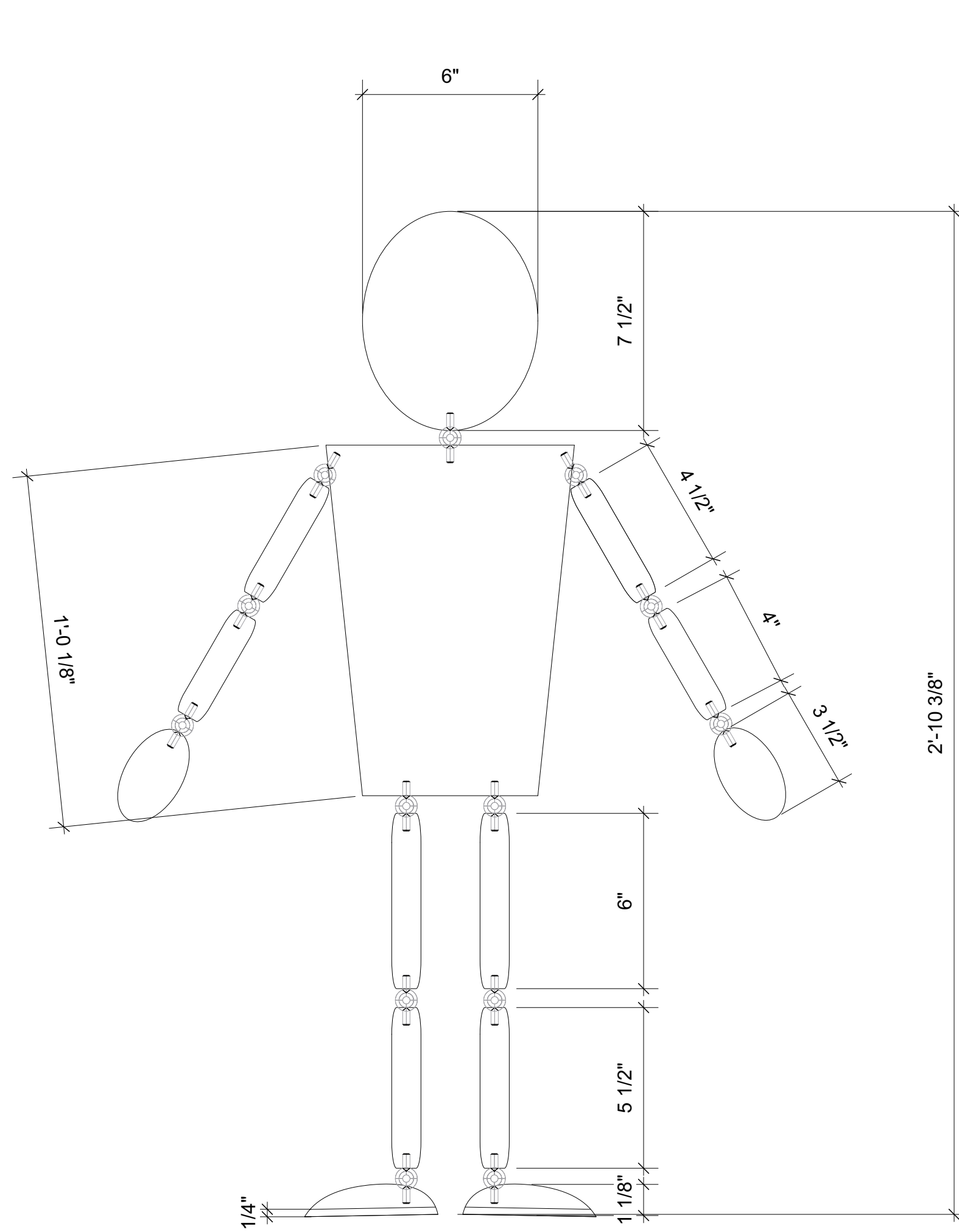
This drawing represents concepts and suggestions only. The design team is not responsible nor held liable for the structural, mechanical or electrical execution of this drawing. Any structural components within this drawing must be approved by a qualified engineer before installation begins. Furthermore any other work done is to be performed by qualified personnel only.

Equipment and installation must conform to all local and federal codes and fire safety regulations.

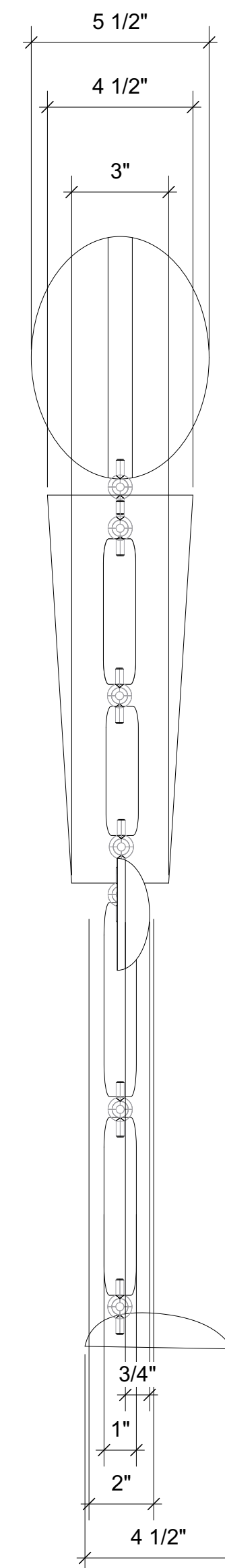
Plate No.

1 OF 1

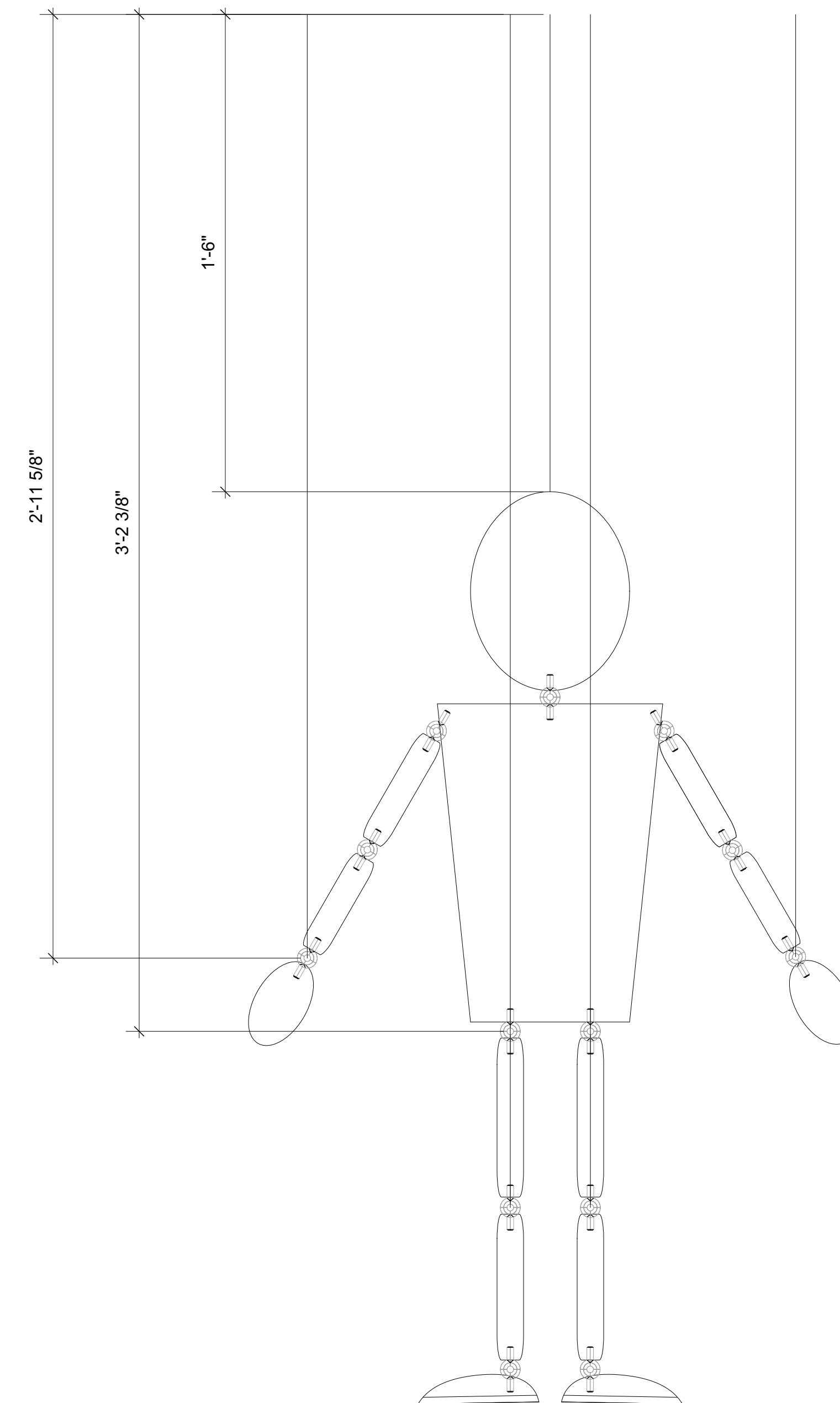
January 28, 2021



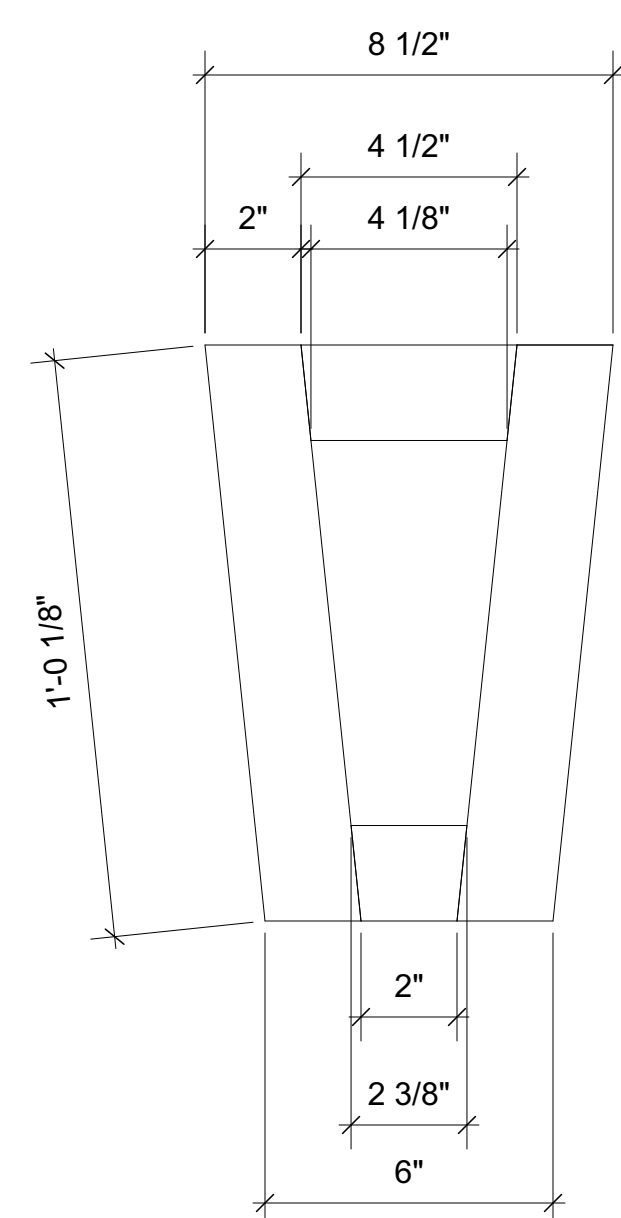
1 Front View
Scale: 3" = 1'-0"



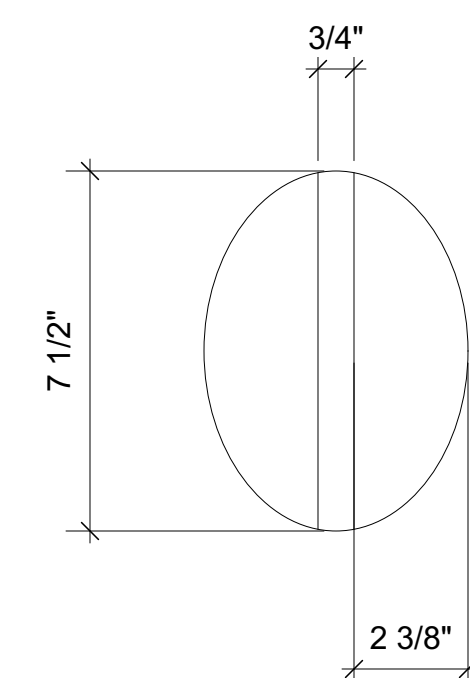
2 Side View
Scale: 3" = 1'-0"



3 Front View w/ Strings
Scale: 3" = 1'-0"



4 Front View of Chest
Scale: 3" = 1'-0"



5 Side View of Head
Scale: 3" = 1'-0"